

ADJUSTING THE SERIES 1 TRIP POINT



CAUTION: Remember that the field-adjustable trip point may have been factory set to your specifications. Adjustment of the trip point varies according to the application and must be performed by a qualified person.

NOTE: Although most efficient when mounted vertically, this switch will function in any position.

To Reset for Rising Pressure

1. Locate and remove the Switch Trip Point Adjustment cover to reveal the Adjustment Wheel. see fig. 1



WARNING: This device is a NEMA 4X housing. Do not use for or disassemble in hazardous locations.

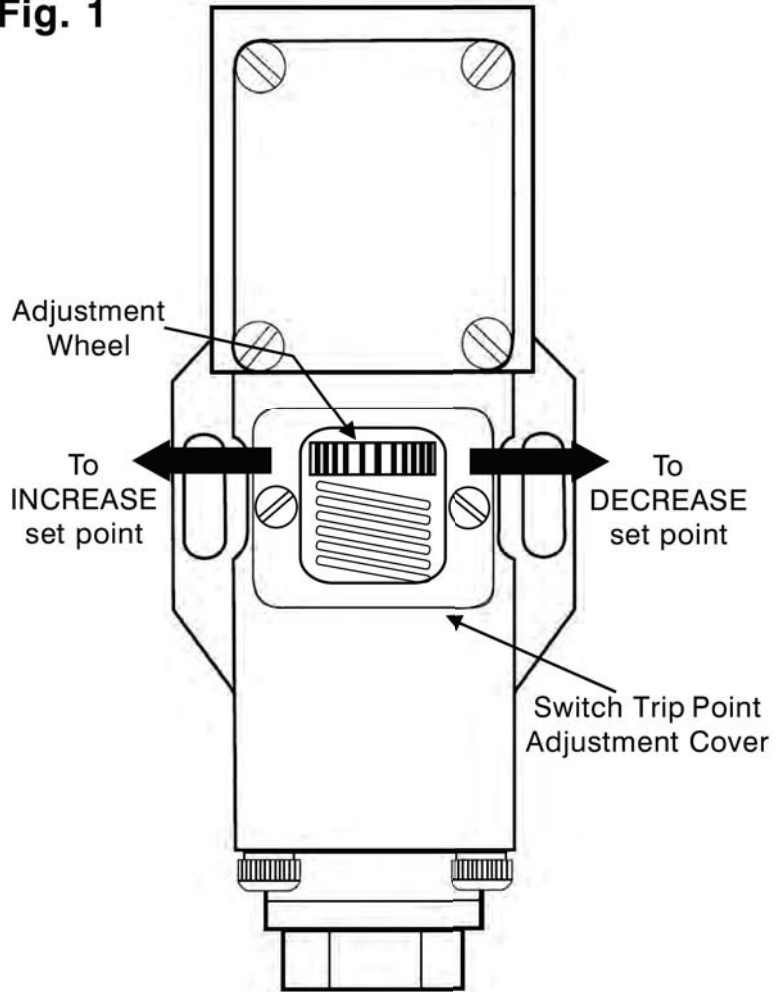
2. Refer to the Schematic to determine the wire colors (free leads) or terminals (appliance plug).
3. Connect test light to the **COM** and **NC** wires/terminals. The light should turn **ON**. Gradually increase the pressure until the light turns **OFF**. Observe the trip point pressure reading.
4. With a flat-tip screwdriver or similar tool, turn the adjustment wheel toward the desired setting. Repeat until the light turns **OFF** at the desired pressure.

To Reset for Falling Pressure

Follow steps 1 and 2 above. Then:

3. Connect test light to the **COM** and **NO** wires/terminals. The light should stay **OFF**. Gradually increase the pressure until the light turns **ON**. Observe the trip point pressure reading.
4. With a flat-tip screwdriver or similar tool, turn the adjustment wheel to the desired setting. Repeat until the light turns **OFF** at the desired pressure.

Fig. 1

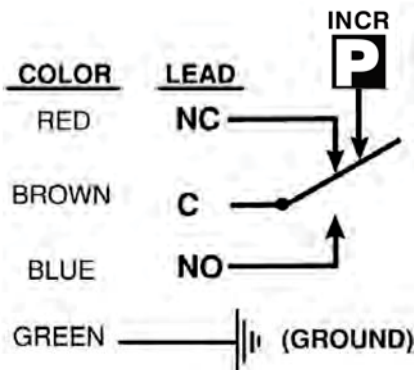


WIRING THE SERIES 1 PRESSURE SWITCH



WARNING: Perform the wiring operation with the power source **OFF**. Make sure voltage and current requirements are within the LLS ratings. Before wiring the unit, determine voltage and polarity for the application. NOTE: This device is a NEMA 4X housing. Do not use for or disassemble in hazardous locations.

SCHEMATIC (Free Leads)



SCHEMATIC (DIN Connector)

