



# Pressure Switches, Inc.

## Series 6 Pressure Switch



- The PSI 'Hardhat Series' Models 6A, 6C, 6G, 6H, 6P and 6Z.
- Explosion proof and weatherproof switch enclosure is LISTED for hazardous areas.
- Field adjustable set point without opening the snap-switch cover.
- Internal slotted adjustment wheel can be adjusted with screwdriver blade.
- All markings including range scale are laser engraved.
- Stainless steel pressure port available.
- Stainless steel fasteners.
- Gold plated snap-switch(es) are standard.

All models are weatherproof rated NEMA 4 and 4X, as well as NEMA 7 and 9 for hazardous areas. Models carry Underwriters Laboratories and CSA listing. Pressure ports are available in either anodized aluminum or stainless steel, which are through the 5000 psi range.

### DESCRIPTION

The Series 6 Pressure Switch is a highly reliable pressure switch for tough applications. Its precision machined aluminum body is anodized for maximum corrosion protection. A polyimide film diaphragm operates a field adjustable switch trip point mechanism attached to a long mechanical life, sensitive differential snap-switch(es), except the 6P where a piston replaces the diaphragms.

### APPLICATIONS

- Gas Compressors
- Air
- Pumps
- Hydraulics
- Water and Waste Water
- Chemical Processing

### SENSOR MODEL SELECTION TABLE

| Base Model | Range ID Number | Switch Adjustment Range |                 | Dead Band Approximate |               | Max System |       | Proof Test |       |
|------------|-----------------|-------------------------|-----------------|-----------------------|---------------|------------|-------|------------|-------|
|            |                 | psig                    | kPa/Mpa         | psig                  | kPa/Mpa       | psig       | Mpa   | psig       | Mpa   |
| <b>6A</b>  | .01             | 2-15                    | 14kPa-103kPa    | 0.2-2.0               | 1kPa-14kPa    | 500        | 3.45  | 1000       | 6.89  |
|            | .03             | 5-75                    | 34-517          | 0.5-6.0               | 3-41          | 750        | 5.17  | 1000       | 6.89  |
|            | .43             | 15-200                  | 103-1.38        | 2.0-15                | 14-103        | 1000       | 6.89  | 1250       | 8.61  |
| and        | .53             | 50-450                  | 345-3.1         | 5.0-30                | 34-207        | 1500       | 10.34 | 3000       | 20.67 |
|            | .62             | 50-1000                 | 345-6.89        | 10-50                 | 69-345        | 2000       | 13.78 | 5000       | 34.45 |
| <b>6G</b>  | .63             | 100-1750                | 689-12.1        | 15-100                | 103-689       | 3000       | 20.67 | 5000       | 34.45 |
| <b>6C</b>  | .01             | 2-15                    | 14kPa-103kPa    | 0.2-2.0               | 1kPa-14kPa    | 500        | 3.45  | 1000       | 6.89  |
|            | .03             | 5-75                    | 34-517          | 0.5-6.0               | 3-41          | 750        | 5.17  | 1000       | 6.89  |
|            | .43             | 15-200                  | 103-1.38        | 2.0-15                | 14-103        | 1000       | 6.89  | 1250       | 8.61  |
| and        | .53             | 50-450                  | 345-3.1         | 5.0-30                | 34-207        | 1500       | 10.34 | 3000       | 20.67 |
|            | .62             | 50-1000                 | 345-6.89        | 10-50                 | 69-345        | 2000       | 13.78 | 5000       | 34.45 |
| <b>6Z</b>  | .63             | 100-1750                | 689-12.1        | 15-100                | 103-689       | 3000       | 20.67 | 5000       | 34.45 |
| <b>6C</b>  | .64             | 200-2500                | 1.3Mpa-17.2Mpa  | 20-150                | 138kPa-1.0Mpa | 3000       | 20.67 | 5000       | 34.45 |
| <b>6H</b>  | .83             | 400-4000                | 2.76Mpa-27.6Mpa | 75-450                | 516kPa-3.1MPa | 5000       | 34.5  | 10000      | 68.9  |
|            | .84             | 500-5000                | 3.45-34.5       | 75-500                | 516-3.4       | 7500       | 51.7  | 10000      | 68.9  |
| <b>6P</b>  | .73             | 350-3250                | 2.41Mpa-22.4Mpa | 50-350                | 345kPa-2.4Mpa | 7500       | 51.7  | 10000      | 68.9  |

(1) SEE HOW TO ORDER SECTION

•The differential or deadband fixed and varies with the pressure setting.

1-800-259-6874

23400 Hwy. 435, Abita Springs, LA 70420

www.pressureswitches.com - sales@mepinc.net



# Pressure Switches, Inc.

## Series 6 Pressure Switch

### SPECIFICATIONS

- NOWT: Boat and pressure operated motor controllers, for use in hazardous locations.
- Listed by: Underwriters Laboratories Inc. (File No. E123884) suitable for: Class I, Div. 1, Groups A, B, C, D; Class II, Div. 2, Groups E, F, G.
- Maximum ambient and service temperature range: -30F to 160F (-34C to 71C). Note: Polyimide for water service 140F (60C) maximum.
- Certified by CSA: Cert. file No. LR76122-1 Class I, Div. 1 Groups B, C, D; Class II, Div. 2 Groups E, F, G. Class 3238 01 - Switches-Automatic-Pressure Type for Hazardous Locations.
- Snap switch ratings:  
SPDT (gold): 100mA @125 VAC; 0.250 A @ 6 VDC.  
DPDT (gold, 2 microswitches): 100mA @125 VAC; 0.250 A @ 6 VDC.
- Internal ground screw clamp.

### HOW TO ORDER

To order a pressure switch that will meet your requirements, specify a model by using the chart below. All configurations may not be immediately available. Consult factory.

EXAMPLE: 6G 12 F1 . 03

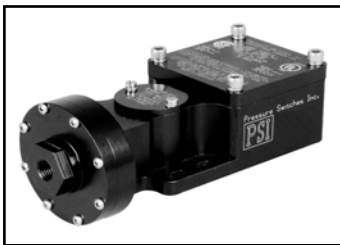
|           |           |           |             |
|-----------|-----------|-----------|-------------|
| <b>6G</b> | <b>12</b> | <b>F1</b> | <b>. 03</b> |
| *         |           | *         |             |

Switch Adjustment Range, Choose the range from "Switch Adjustment Range" Column (See Table 1) and enter the range ID Number.

|    |   |
|----|---|
| N1 | Nitrile O-Ring Polyimide Diaphragm                  |
| F1 | Viton O-Ring Polyimide Diaphragm                    |
| F2 | Viton O-Ring Stainless Steel Diaphragm              |
| F6 | Viton O-Ring Polyimide Diaphragm (H Only)           |
| N9 | Nitrile O-Ring SST Piston Teflon Diaphragm (P Only) |

|    |                  |
|----|------------------|
| 12 | SPDT (Gold STD.) |
| 33 | DPDT (Gold STD.) |

### Series 6 - LOW PRESSURE SWITCH



**DESCRIPTION:**  
FOR INSTRUMENTATION APPLICATIONS.  
The Series 6 Pressure Switch is for low and very low requirements using a sensitive diaphragm sensor with very narrow deadbands, with all the standard features of the Series 6 with UL listing for Hazardous Areas.

FOR VERY LOW RANGE INSTRUMENTATION APPLICATIONS RANGE ID: .12.

- Adjustable range: 3.0" - 100" WC
- Deadband: .50" - 3.0" WC (Approx.)
- Proof Pressure: 250 PSIG
- Typical model number: 6G12N1.12

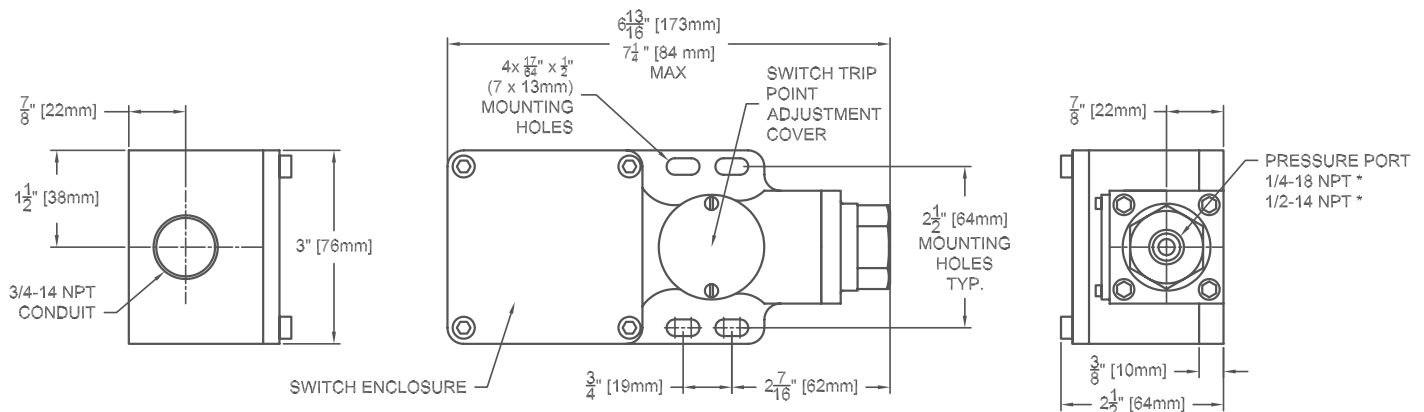
INSTRUMENTATION AIR PRESSURE SWITCH FOR PNEUMATIC AND OTHER APPLICATIONS RANGE ID: .14.

- Adjustable range: 2-16 PSIG
- Deadband: 2" WC - 0.25 PSIG (Approx.)
- Proof Pressure: 250 PSIG
- Typical model number: 6G12N1.14

| LTR | MALI  | Port Size  |
|-----|-------|------------|
| A   | AL    | 1/2-14 NPT |
| C   | 316SS | 1/4-18 NPT |
| G   | AL    | 1/4-18 NPT |
| H   | 316SS | 1/4-18 NPT |
| P   | AL    | 1/4-18 NPT |
| Z   | 316SS | 1/2-14 NPT |

\*Wetted materials.

### DIMENSIONS



Specifications and availability subject to change without prior notice.

Weight: Approx. 40 oz (1.13 kg) min.

SEE HOW TO ORDER

1-800-259-6874

23400 Hwy. 435, Abita Springs, LA 70420

www.pressureswitches.com - sales@mepinc.net